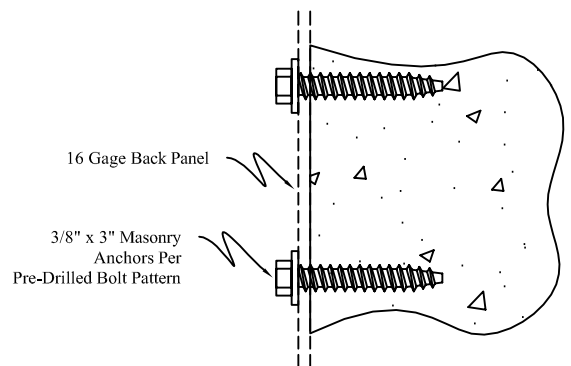


CANOPY

INSTALLATION

To Install the *Mini Champ*® ONE PIECE DOOR AWNING / CANOPY.

1. Awning / canopy should be installed 1" above the Door Frame.
2. The Unit comes with holes already drilled in the rear of the frame.
 - a. The holes are 1/2" diameter, for 3/8" Masonry anchors or 3/8" Lag Screws
 - b. Drill 1/2" holes into the wall as indicated from the pattern in the frame.
 - c. The drill bit and fasteners are furnished.



Concrete/Masonry Connection

Very Important!

Please be advised of the *Type of Wall Construction* the DOOR AWNING / CANOPY will be *MOUNTED TO*: Wood Frame or Masonry Construction.

After the Unit is installed, insert the vinyl soffit panels into the bottom of the frame.

When Ordering the DOOR AWNING / CANOPY, indicate:

1. The Size you want _____
2. Type of Wall Construction: Wood frame [] Masonry / Concrete []
3. Type of Material: Light Metal [] Aluminum []
4. Color: White or Other _____